

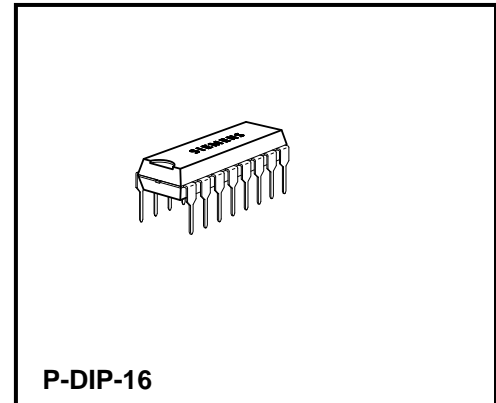
Dual Sound FM IF Amplifier

TBA 229-5

Bipolar IC

Features

- High AM suppression over a very wide input voltage range
- High sensitivity
- Very high symmetry



The component contains two separate limiter amplifiers with FM demodulators and separate AF outputs.

Type	Ordering Code	Package
TBA 229-5	Q67000-A5133	P-DIP-16

Circuit Description

The component contains two separate FM sound IF sections for television stereo applications or for multistandard receivers. Each FM section consists of an eight-stage symmetrical limiter amplifier followed by a coincidence demodulator and an AF pre-amplifier with a low-ohmic output. The component features considerably improved AM suppression characteristics with small input signals, as well as a very low frequency deviation between THD_{min} and AM_{min} .

Absolute Maximum Ratings

Parameter	Symbol	Limit Values		Unit
		min.	max.	
Supply voltage	V_S	0	16	V
Reference current	I_{REF}	0	2	mA
IF input voltage	$V_{IF\ rms}$	0	600	mV
DC voltages	$V_{9, 10, 11}$	0	V_{REF}	V
	$V_{14, 15, 16}$	0	V_{REF}	V
DC currents	$I_{1, 2, 4, 5, 7, 8}$	0	2	mA
Junction temperature	T_j		150	°C
Storage temperature range	T_{stg}	- 40	125	°C
Thermal resistance (system-air)	$R_{th\ SA}$		80	K/W

Operating Range

Supply voltage	V_S	10.5	15.75	V
Ambient temperature	T_A	0	70	°C
Frequency	f_I	0.1	12	MHz

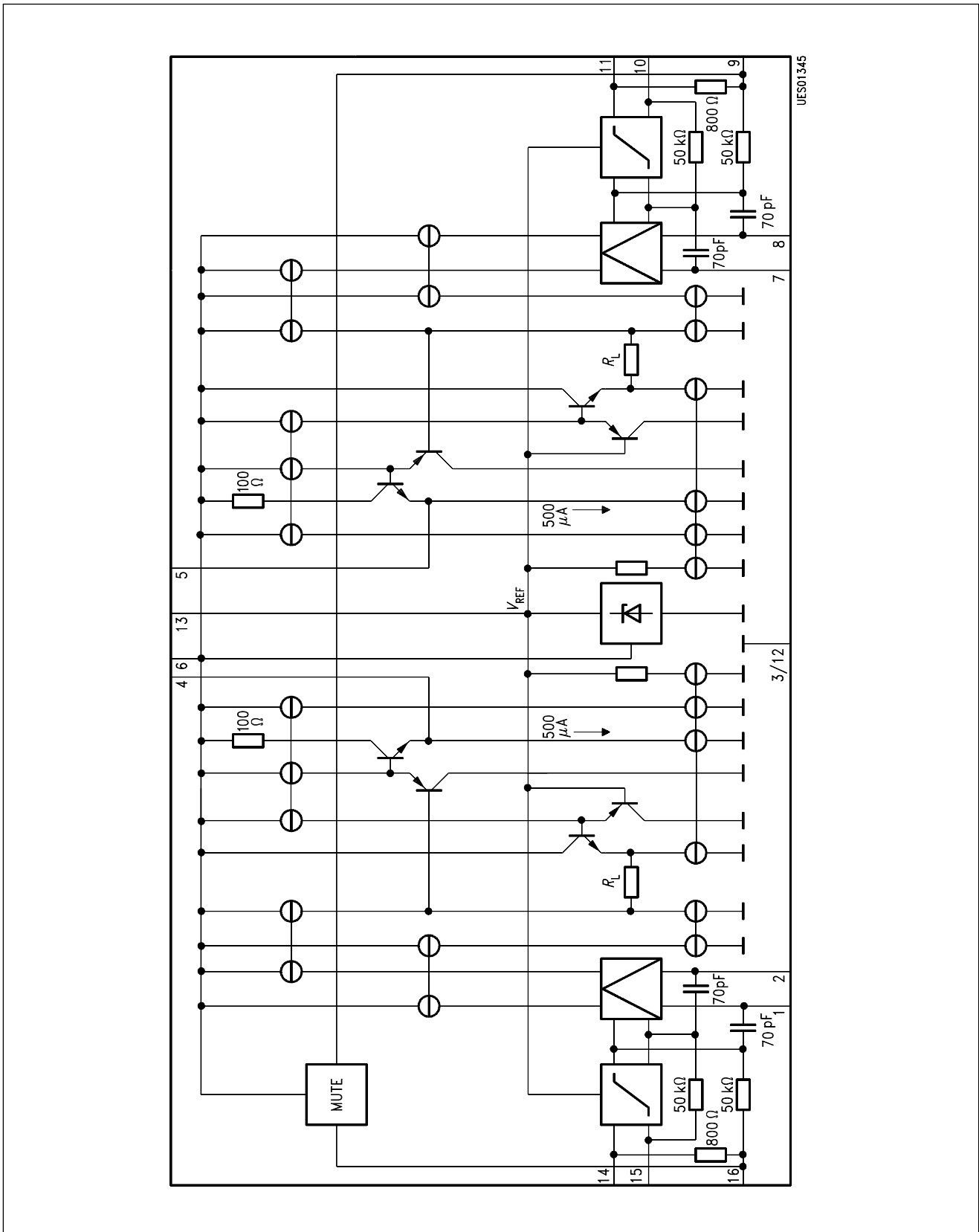
Characteristics

$V_S = 12\text{ V}$; $T_A = 25\text{ °C}$; $V_{I\text{IF } 14\text{ rms}} = 10\text{ mV}$; $f_{I\text{IF } 11, 14} = 5.5\text{ MHz}$; $f_{\text{mod}} = 1\text{ kHz}$; $\Delta f = \pm 30\text{ kHz}$
(if not stated otherwise)

Parameter	Symbol	Limit Values			Unit	Test Condition
		min.	typ.	max.		
Current consumption	I_S	25	35	42	mA	
Input voltage for limiter threshold	$V_{I\text{11 rms}}$ $V_{I\text{14 rms}}$		50 50	100 100	μV μV	$V_{Q\text{4,5}} = -3\text{ dB}$
Output voltage	$V_{Q\text{4 rms}}$ $V_{Q\text{5 rms}}$	510 510	600 600	700 700	mV mV	
DC voltage portion	$V_{Q\text{4}} =$ $V_{Q\text{5}} =$	4.8 4.8	6 6	6.2 6.2	V V	$\Delta f = 0$; $THD = THD_{\text{min}}$
Total harmonic distortion	$THD\text{4, THD}\text{5}$		0.4	0.8	%	$THD = THD_{\text{min}}$
AM suppression $V_{i\text{ rms}} = 1\text{ mV}$; $m = 30\%$	$\alpha_{AM\text{4}}$ $\alpha_{AM\text{5}}$	55 55	60 60		dB dB	$V_{i\text{ rms}} = 1\text{ mV}$; $m = 30\%$
Cross-talk rejection	$C_{I\text{F } 1-2} = V_{Q\text{4}}/$ $V_{Q\text{5}}$	60			dB	$f_{I\text{F } 11} = 5.5\text{ MHz}$; $\Delta f_{11} = 0\text{ kHz}$; $V_{I\text{11 rms}} = 4\text{ mV}$; $V_{I\text{14 rms}} = 10\text{ mV}$
	$C_{I\text{F } 1-2} = V_{Q\text{4}}/$ $V_{Q\text{5}}$	60			dB	$f_{I\text{F } 11} = 5.74\text{ MHz}$; $\Delta f_{14} = 0\text{ kHz}$; $V_{I\text{11 rms}} = 4\text{ mV}$; $V_{I\text{14 rms}} = 10\text{ mV}$
Reference voltage	$V_{13} =$	5.4	6	6.6	V	
Switching voltage muting ON (AF off) OFF	V_{16} V_{16}	8 0		V_S 3	V V	

Design-Related Values

Input resistance	$R_{I\text{1,2}}$ $R_{I\text{7,8}}$	20 20			k Ω k Ω	
Output resistance	$R_{Q\text{4,5}}$			100	Ω	
Input impedance	$Z_{I\text{11,14}}$		800		Ω	
IF residual voltage	$V_{Q\text{4,5 (IF)}}$		15		mV	
Hum suppression	$\alpha_{Q\text{ hum}}$		32		dB	$f_s = 100\text{ Hz}$ $\Delta V_{s\text{ rms}} = 500\text{ mV}$; $V_s/V_{Q\text{4}}$; $V_s/V_{Q\text{5}}$
Frequency deviation AM min – THD min	$\Delta f_{I\text{F}}$		± 10		kHz	



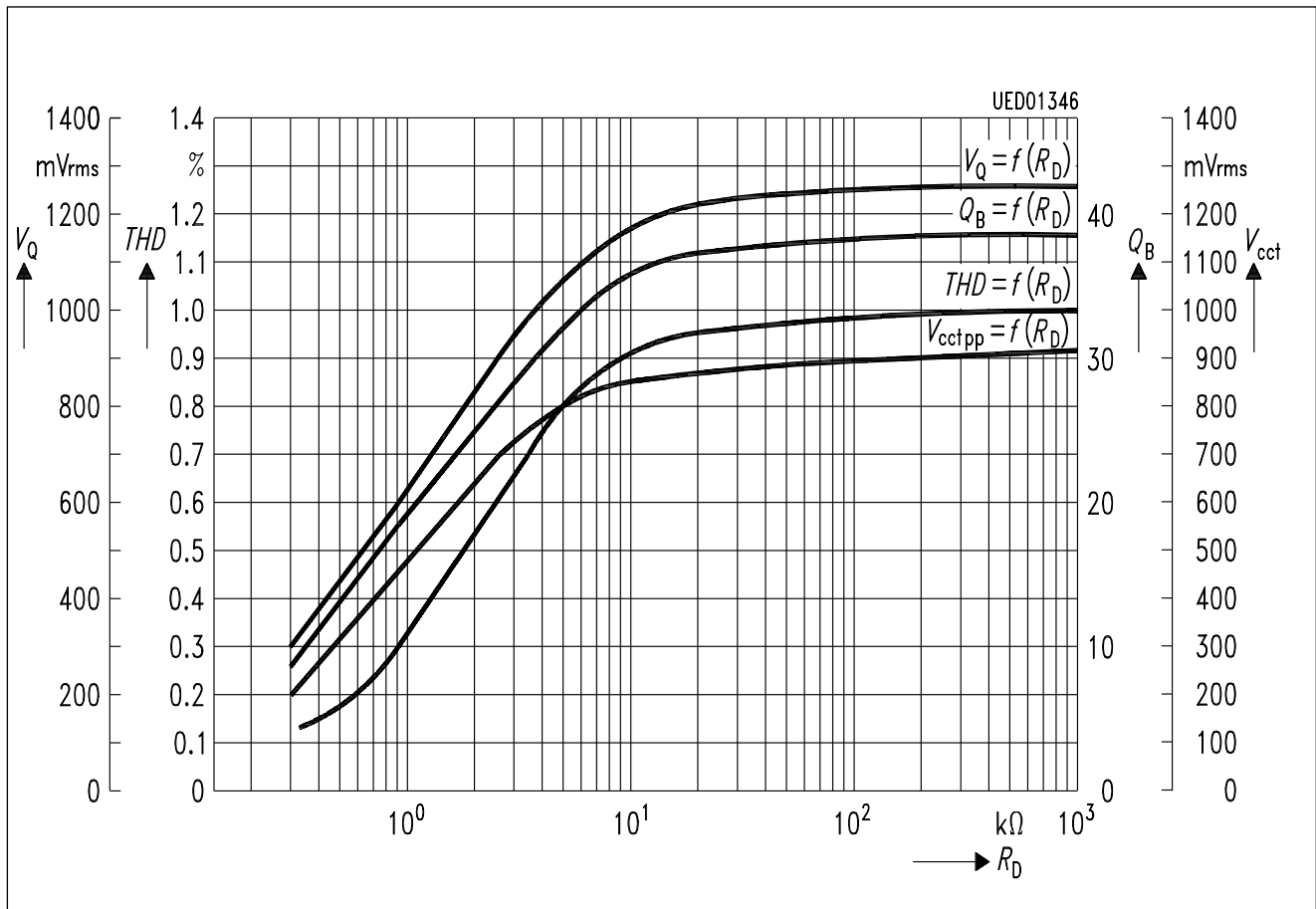
Block Diagram

Pin Functions

Pin No.	Function
1, 2	Demodulator tank circuit connection IF 1 (high impedance input – slope of S-curve can be determined by external resistor between pins 1 and 2)
3	GND
4	AF output IF 1 (emitter follower)
5	AF output IF 2 (emitter follower)
6	Supply voltage
7, 8	Demodulator tank circuit connection IF 2 (high impedance input – slope of S-curve can be determined by external resistor between pins 1 and 2)
9	Operating point feedback of limiter amplifier and low end IF 2 (RF decoupling of IF amplifiers with appropriate capacitors is required!)
10	Operating point feedback of limiter amplifier IF 2 (RF decoupling of IF amplifiers with appropriate capacitors is required!)
11	IF 2 input (input of limiter amplifier IF 2; internal resistor between pins 9 and 11 is typ. 800 Ω)
12	GND
13	Internal reference voltage (typ. 6 V)
14	IF 1 input (input of limiter amplifier IF 2; internal resistor between pins 14 and 15 is typ. 800 Ω)
15	Operating feedback of limiter amplifier IF 1 (RF decoupling of IF amplifiers with appropriate capacitors is required!)
16	Operating point feedback of limiter amplifier and low end IF 1 (RF decoupling of IF amplifiers with appropriate capacitors is required!)

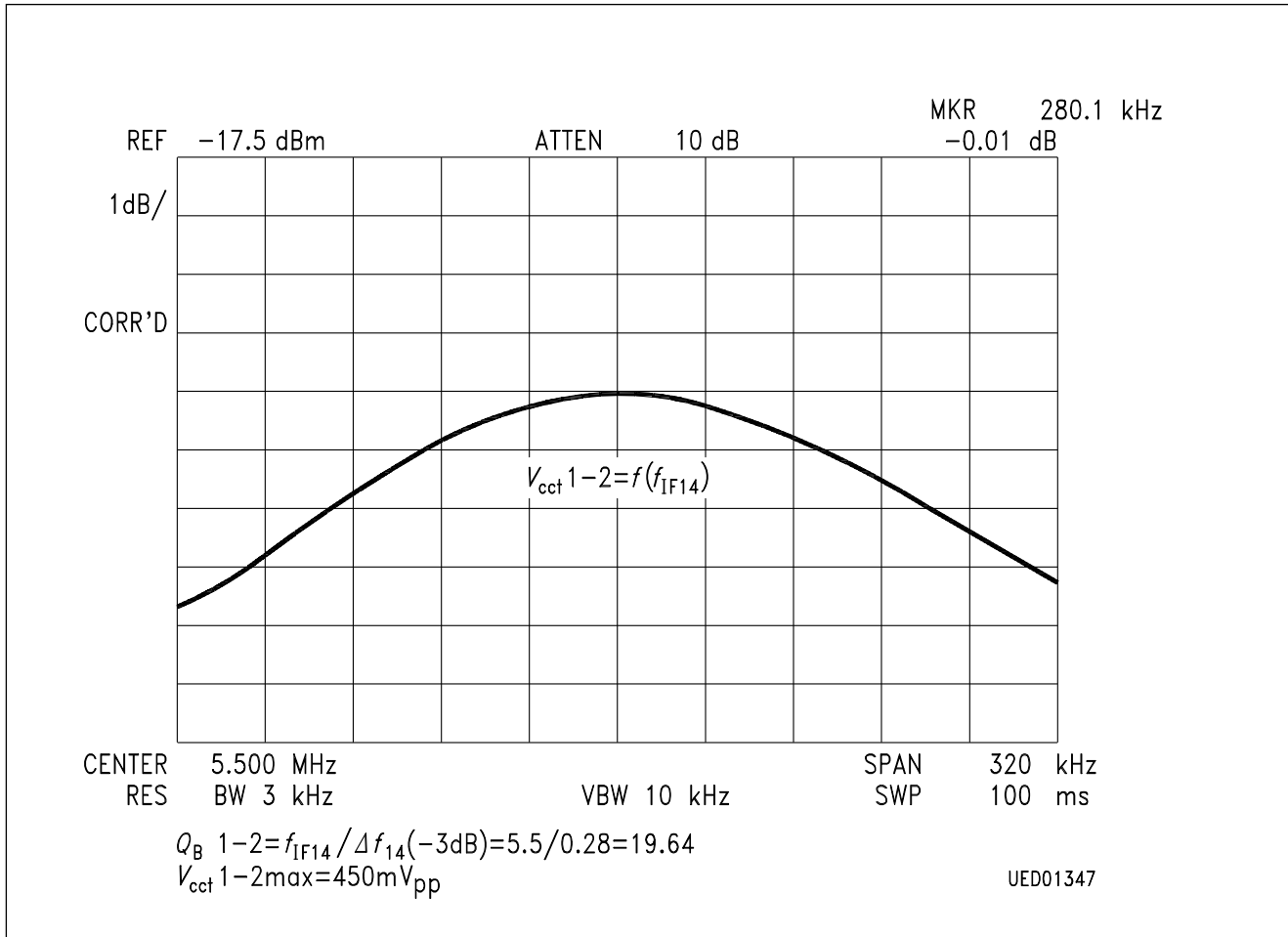
Diagrams

AF Output Voltage, Total Harmonic Distortion, Circuit Voltage versus Circuit Q_B

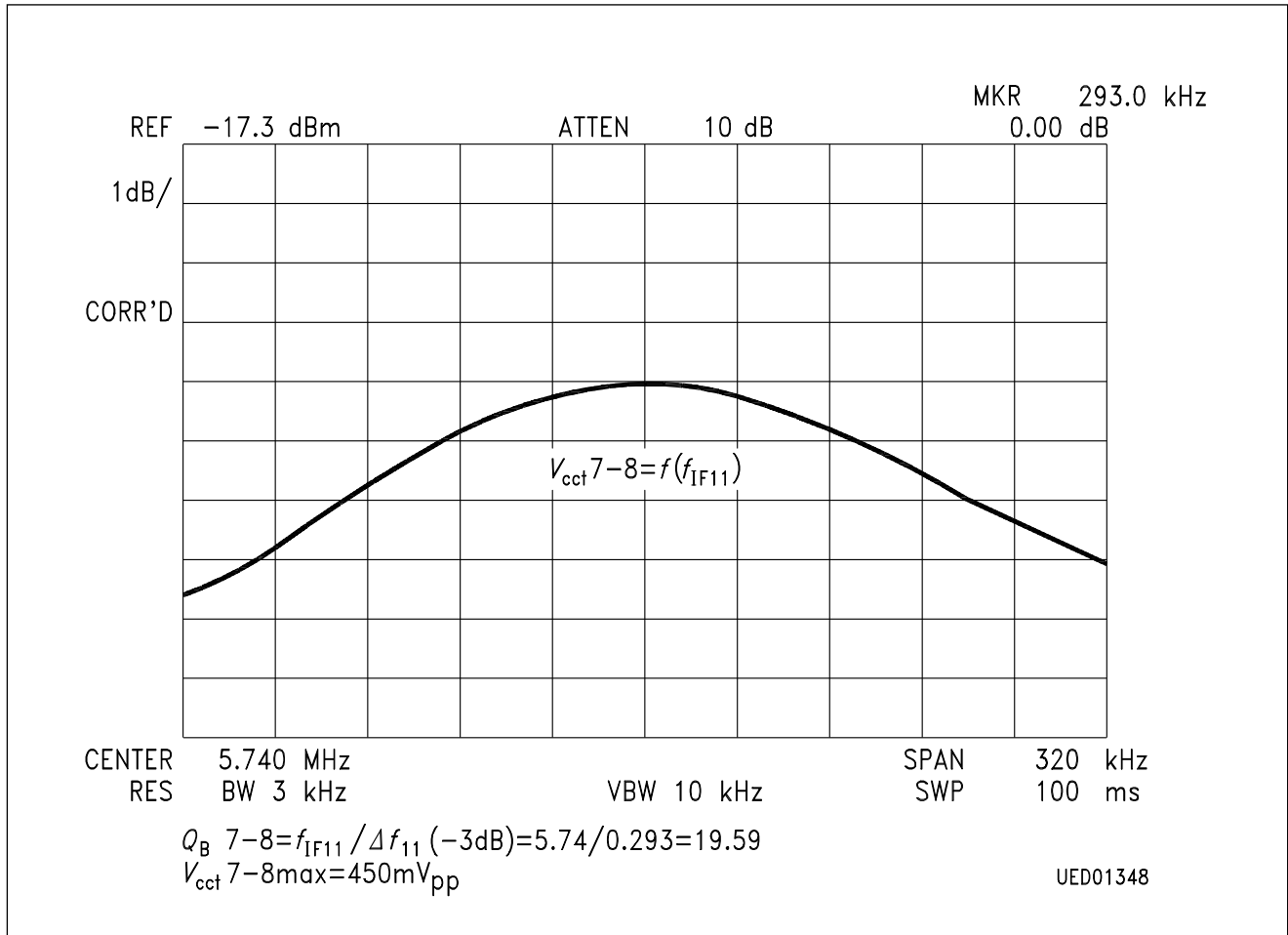


V_Q : $V_{Q4\text{ rms}}; V_{Q5\text{ rms}}$
 THD : $THD_4; THD_5$
Measured at: $f_{IF} = 5.5\text{ MHz}; \Delta f = 30\text{ kHz}; f_{\text{mod}} = 1\text{ kHz}; V_{IF} = 10\text{ mV}$
 V_{cct} : $V_{1,2} = V_{7,8}$
Measured at: $f_{IF} = 5.5\text{ MHz}; \Delta f = 0\text{ kHz}; V_{IF} = 10\text{ mV}$
 Q_B : Q between connections 1, 2 and 7, 8
Measured at: $f_{IF} = 5.5\text{ MHz}/\Delta f_{IF}$ for 3 dB bandwidth, $\Delta f = 0\text{ kHz}; V_{IF} = 10\text{ mV}$
Circuit: $L = 10$ turns 0.25 CuL; Vogt Coil Assembly 517 12 000 00 without cap
 $C = 1\text{ nF}$ STYROFLEX Capacitor

Tank Voltage versus f_{IF}

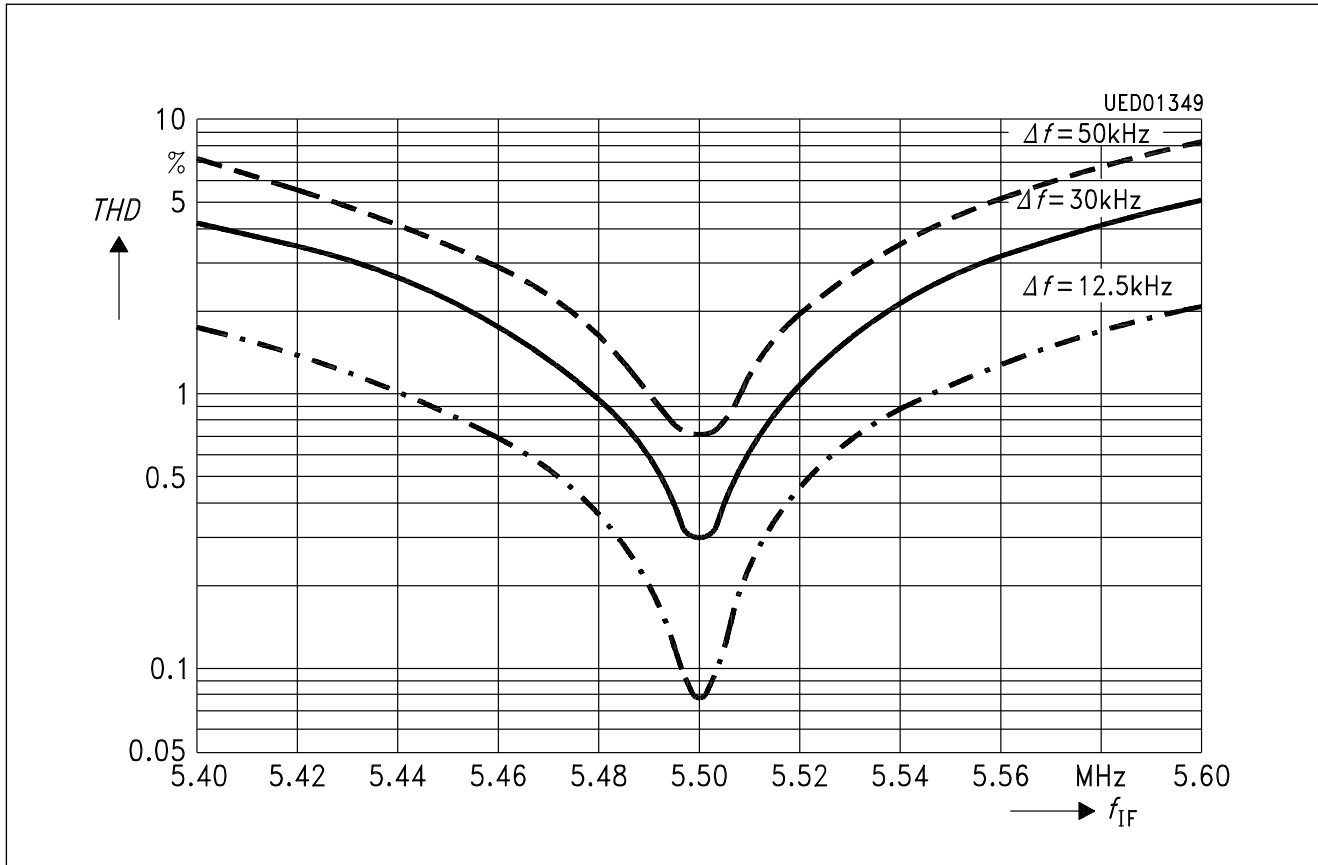


Tank Voltage versus f_{IF}



Total Harmonic Distortion versus Detuning (FM Operation)

$THD_4 = f(f_{IF})$; $V_i = 10\text{ mV}$; $V_s = 12\text{ V}$; $f_{mod} = 1\text{ kHz}$,
 $\Delta f = 50\text{ kHz}, 30\text{ kHz}, 12.5\text{ kHz}$

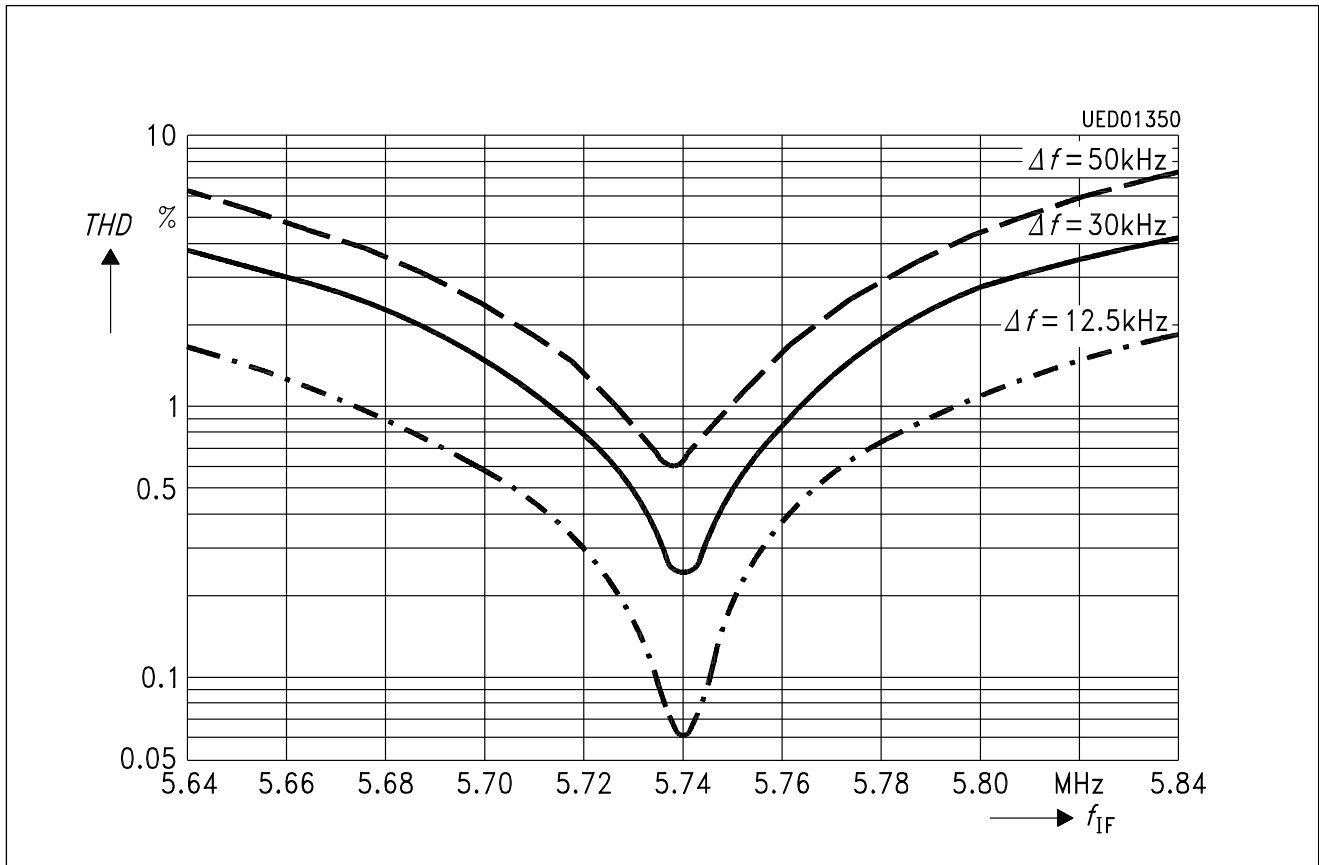


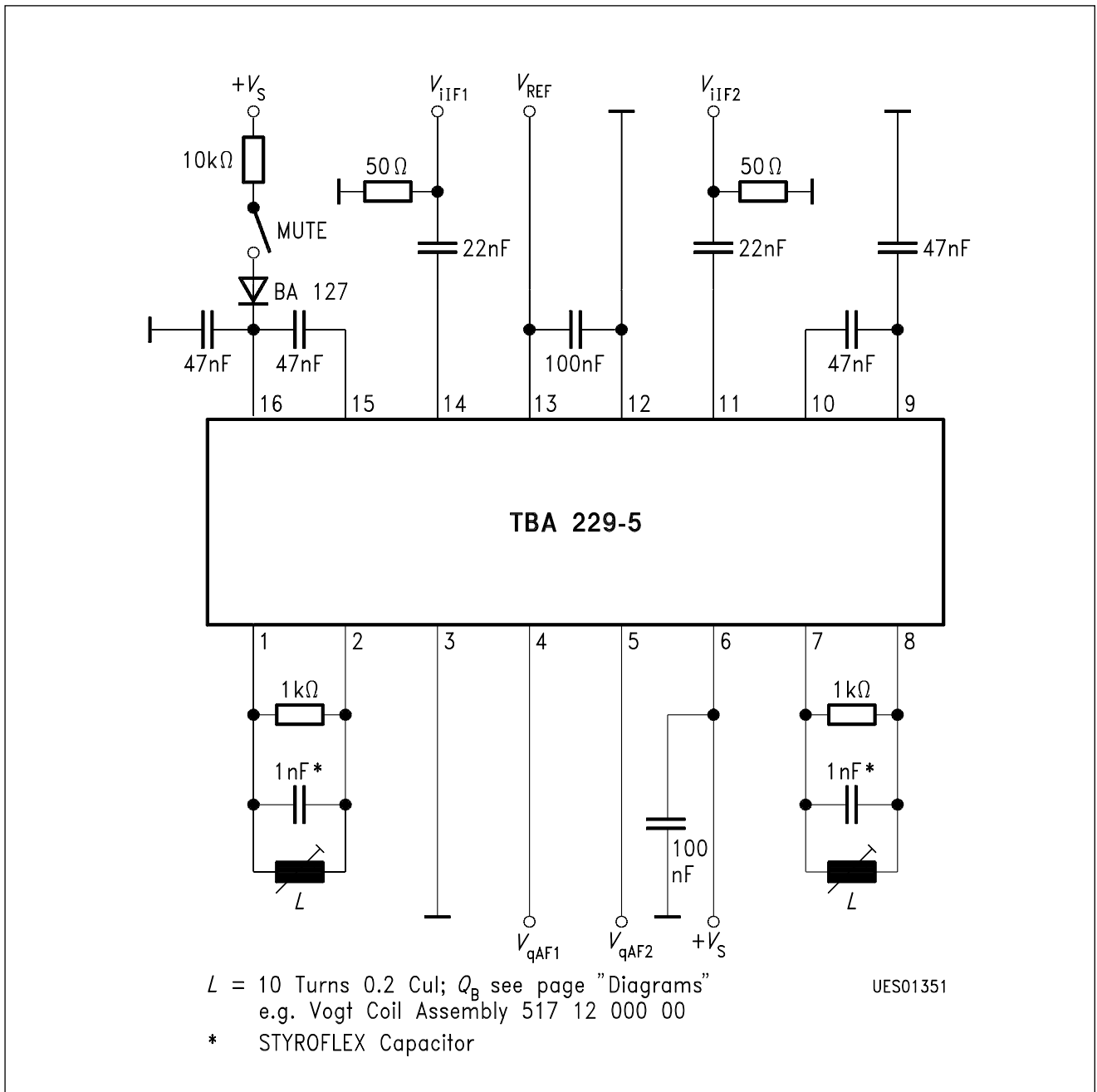
Total Harmonic Distortion versus Detuning (FM Operation)

compensated for minimum total harmonic distortion at $f_{IF} = 5.5 \text{ MHz}$;

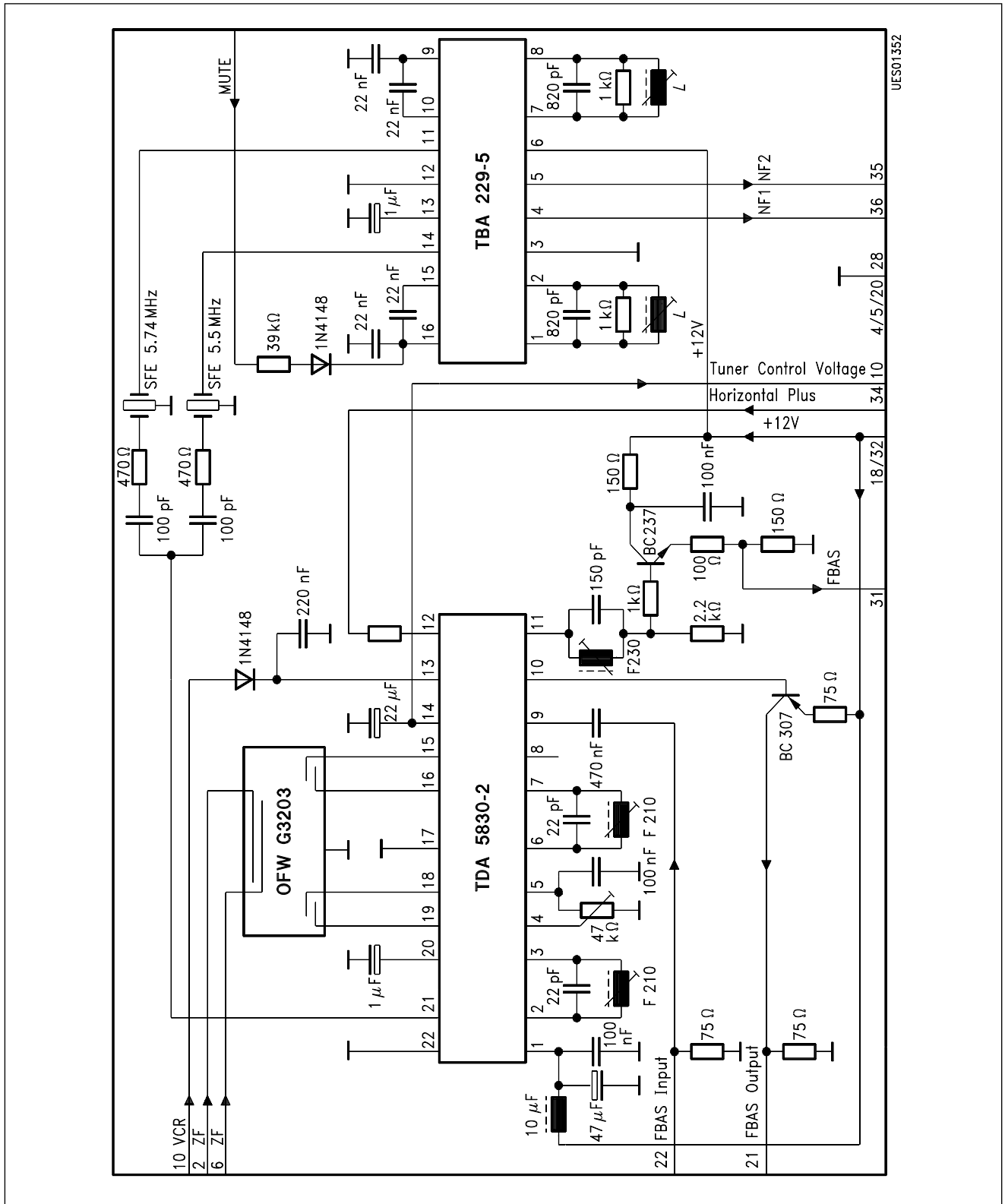
$THD = f(f_{IF})$; $V_i = 10 \text{ mV}$; $V_s = 12 \text{ V}$; $f_{mod} = 1 \text{ kHz}$,

$\Delta f = 50 \text{ kHz}$; 30 kHz ; 12.5 kHz





Test Circuit



Application Circuit

$L = 10$ turns 0.2 CuL; Q_B approx. 25
 e.g. Vogt Coil Assembly 517 12 000 00